

**CYBEX**<sup>®</sup>  
*Serious about fitness.*

**JUNGLE GYM**



**Taking multi-purpose strength training to new heights.**

# What's your Jungle Gym?

Use our modular building blocks to create a professional quality multi-gym to accommodate everyone from serious strength trainers, to members who are just getting started on the road to fitness.



## CYBEX Jungle Gym

### It looks serious because it is serious.

One glance at the CYBEX Jungle Gym, and you know our engineers were serious about taking modular, multi-purpose strength training equipment to a whole new level. This professional quality system has the look, feel and performance you expect from a company that's serious about fitness.

Our Jungle Gym is more than an ideal complement to the CYBEX equipment your members already know and trust. It's an essential part of any well-balanced facility committed to offering members a well-rounded workout.

### The right fit for your fitness club.

You can configure this multi-station performer to the needs of your facility — no matter how challenging the environment. From our Cable Crossover to a four-stack with the Attached Cable Crossover to two four-stacks connected by a Cable Crossover, the CYBEX Jungle Gym is the right fit for your facility and everyone in it. Like your members, it belongs in your club.

### CYBEX Quality — in a Jungle Gym.

This fitness club staple is made from cold rolled solid steel and engineered to our high standards. So you can expect the rugged reliability and low-maintenance that have become CYBEX trademarks.

The CYBEX Jungle Gym is the missing link for clubs who want to offer members the complete line of high performance CYBEX strength and cardio equipment.

#### QUAD TOWER 17001

The core Jungle Gym accepts any two of the following at opposite sides:

- Low Row 17031
- Dual Handle Low Row 17041
- Lat Pull 17071
- Dual Handle Lat Pull 17081

The remaining two sides will accept:

- Hi – Lo 17050
- Triceps Pushdown 17060
- Adjustable Cable Column 17091
- Attached Cable Crossover 17120
- Embedded Cable Crossover 17130





**A. Low Row 17031**

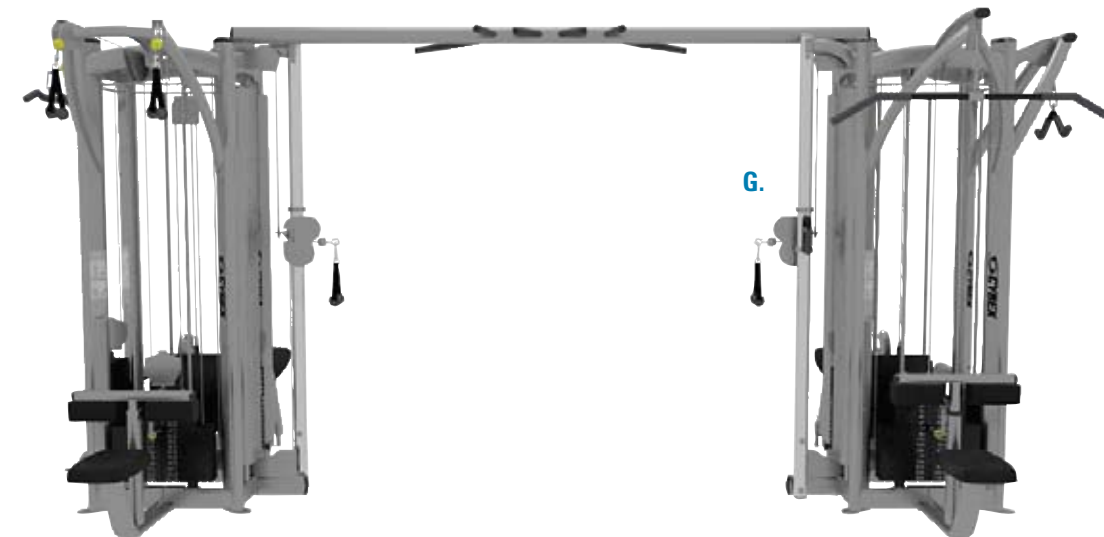
- Seat cushion is ergonomically positioned 17-inches from the ground.
- Seat is placed at a 10-degree angle to allow users clear access to the footplates.
- Pulley position allows for an optimal path of motion of the handle for rows.

**B. Dual Handle Low Row 17041**

- Dual handles for independent movement, and delivers a 2:1 lifting ratio when used independently.
- Diverging pulley alignment for natural movement.
- Seat cushion is ergonomically positioned 17-inches from the ground.
- Seat is placed at a 10-degree angle to allow users clear access to the footplates.
- Pulley position allows for an optimal path of motion of the handle for rows.

**C. Hi – Lo 17050**

- Dual cable outlets make this an excellent multi-purpose station for movements like arm curls and triceps pushdowns.
- The 2:1 lifting ratio provides for low take-off resistance and controlled inertia.

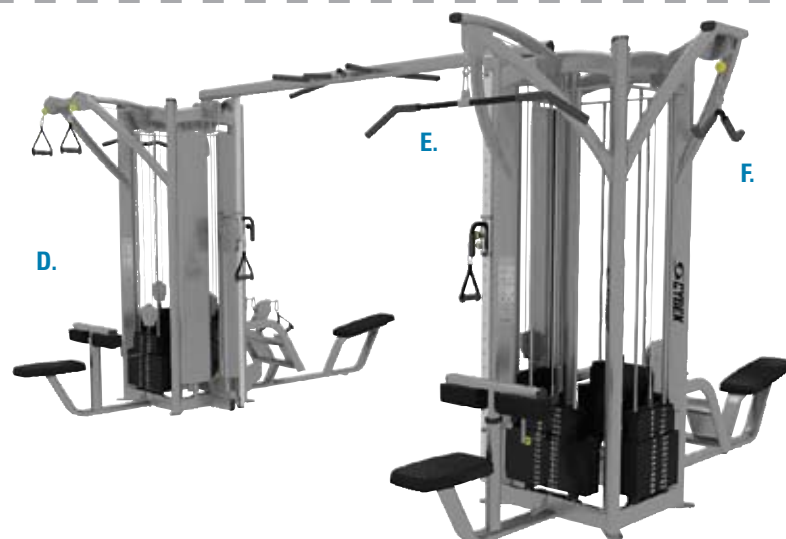


**G. Adjustable Cable Column 17091**

- Adjustment tube has 22-positions, located 3" apart.
- The 2:1 lifting ratio provides for decreased inertia.
- Includes user-side weight shield.

**Embedded Cable Crossover 17130**

Used when a Cable Crossover is desired as part of a "dual quad" Jungle Gym. It includes two adjustable cable columns and a connecting tube with multiple pull-up and chin-up handles.



**D. Dual Handle Lat Pull 17081**

- The forward-aligned pulley is carefully located to encourage correct form for the lat pulldown movement.
- Dual handles for independent movement, and delivers a 2:1 lifting ratio when used independently.
- Diverging pulley alignment for natural movement.

**E. Lat Pull 17071**

- The forward-aligned pulley is carefully located to encourage correct form for the lat pulldown movement.
- Adjustable thigh pad provides stabilization for a wide variety of user heights.

**F. Tricep Pushdown 17060**

- Overhead pulley location allows for a greater variety in body position.



**Free Standing Cable Crossover 17110**

Includes two Adjustable Cable Columns with towers and stabilization, as well as a connecting tube with multiple pull-up and chin-up handles.



**Attached Cable Crossover 17120 (not pictured)**

This Cable Crossover attaches to one side of the Quad Tower and extends outward to a free-standing end attached by a connecting tube with multiple pull-up and chin-up handles.

# specifications

Product Number	Description	Length		Width		Height		W. Stack		Weight	
		IN	CM	IN	CM	IN	CM	LB	KG	LB	KG
<b>JUNGLE GYM</b>											
17001	Quad Tower	32	81	28	71	86	218			240	109
17031	Low Row	71	180	28	71	86	218	255	116	425	193
17041	Dual Handle Low Row	71	180	28	71	86	218	255	116	435	198
17050	Hi / Lo Cable	10	25	28	71	86	218	200	91	320	145
17060	Triceps Pushdown	13	33	28	71	88	224	200	91	325	148
17071	Lat Pull	38	97	28	71	87	221	255	116	390	177
17081	Dual Handle Lat Pull	38	97	28	71	88	224	255	116	405	184
17091	Adjustable Cable	14	36	28	71	86	218	200	91	350	159
17110	Free Standing Cable Crossover	146	371	48	122	88	224	200	91	1070	486
17120	Attached Cable Crossover	129	328	48	122	88	224	200	91	910	414
17130	Embedded Cable Crossover	111	282			88	224	200	91	750	341

\*Available in five standard or a virtually unlimited variety of custom frame colors



CYBEX Strength products are Made in the USA

WORLD HEADQUARTERS

10 Trotter Drive • Medway • MA 02053 USA • T +1.508.533.4300 • F +1.508.533.5500

CYBEX INTERNATIONAL UK LTD

Oak Tree House • Atherstone Road • Measham • Derbyshire • DE12 7EL UK  
T +44.845.606.0228 • F +44.845.606.0227

